



GRAPHIC ARC WALL SCONCE V056-ARC-GD-SCONCE

Application Features

For retail and hospitality applications.

Construction

Wall sconce with custom printed polycarbonate graphic shade and powdercoated fixture housing. Wall Sconce is ADA compliant. Customer to supply high quality artwork or VQL can develop diffuser for an additional charge.

Finish

- Choice of silver, white or black powder paint
- Specify other powder paint option

Electrical

- 1 x E12 Candelabra Base Socket (Lamps Not Included)

Mounting

- Fixture attaches to standard junction box (J-Boxes supplied by others)

Approvals

UL Listed



JOB NAME

V056-ARC-GD-SCONCE- _____ - _____

Finish Options

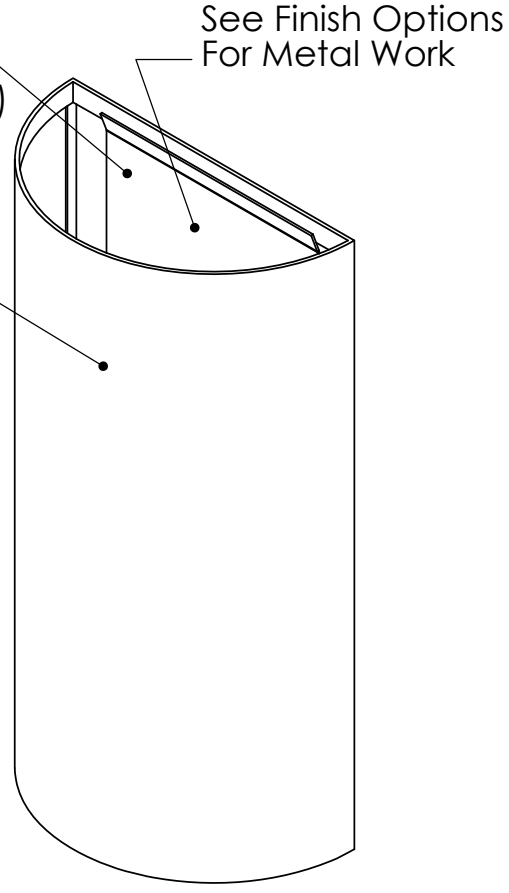
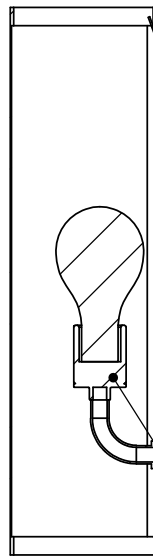
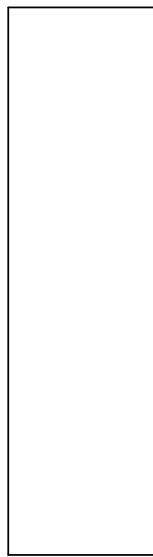
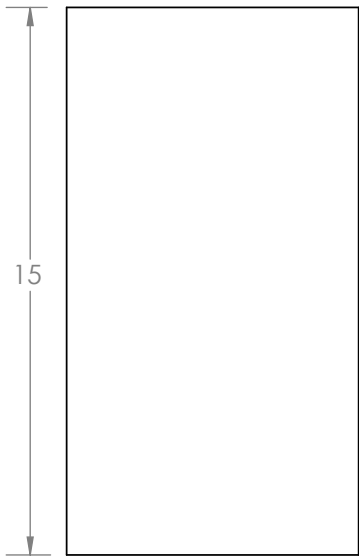
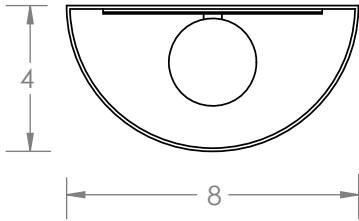
- BK BLACK
- WH WHITE
- SV SILVER
- OT Specify Other Powder Paint

Graphic

- OC Client Supplied Graphic
- OV VQL Supplied Graphic



GRAPHIC ARC WALL SCONCE V056-ARC-GD-SCONCE



Wall Plate Mounts To A Standard J-Box (J-Box Supplied By Others)

See Finish Options For Metal Work

Polycarbonate Shade With Custom Printed Graphic

1 x E12 Candelabra Base Socket (Lamp Not Included)

Fixture specifications

| V056-ARC-DS-SCONCE-FSH-GPX Graphic Arc Wall Sconce | |
|--|------------------------------|
| Specification | Details |
| Voltage | 120V AC 60 HZ |
| Wattage | 1 x 10W Maximum |
| Approval | UL Listed |
| Diffuser Material | Polycarbonate |
| Lamp Type (Lamp not Included) | 1 x E12 Candelabra Base Lamp |
| Fixture Weight | 4 lbs. |
| Fixture Dimensions | 8" x 4" x 15" |

- Fixture is packed one per cardboard box
- Fixture to be installed by other contractor