



# ATRIUM PENDANT V056-ATRIUM-PEND

## Application Features

For retail, hospitality and residential applications.

## Construction

Metal frame work with diffusion walls and open downward illumination

## Finish

- Blackened Steel
- Choice of silver, white or black powder paint
- Specify Other

## Electrical

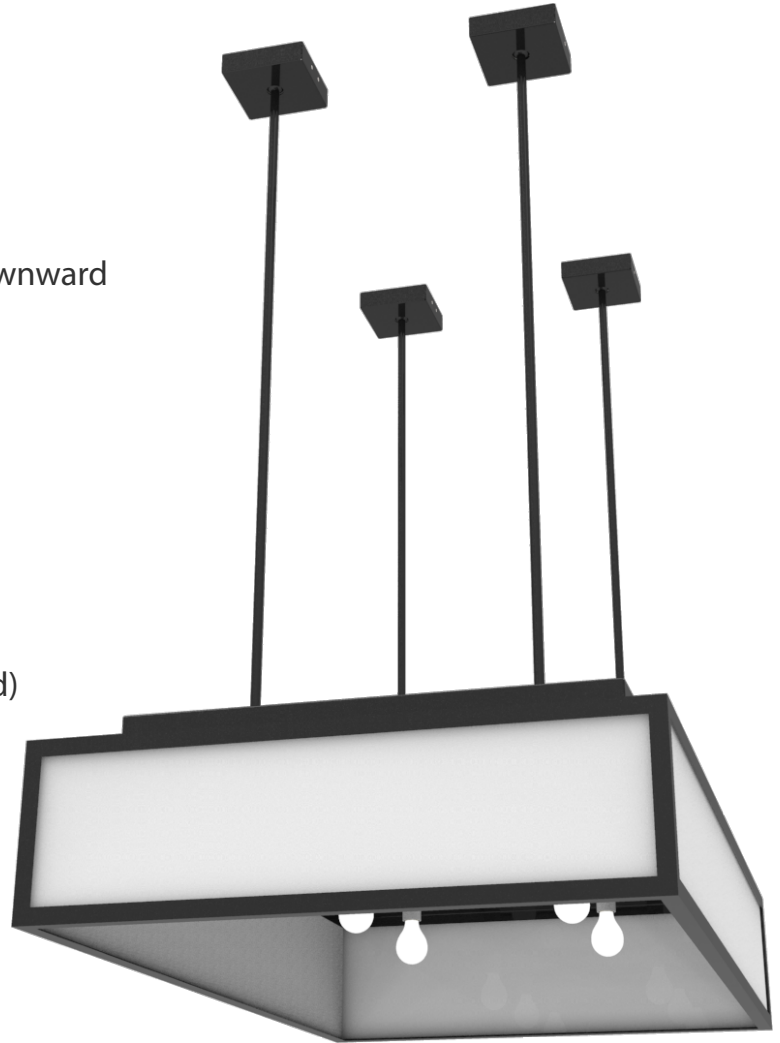
- 6 x E26 Medium Base Sockets (Lamps Not Included)

## Mounting

- Fixture mounts to a heavy duty J-Box (J-Boxes supplied by others) and surrounding structure

## Approvals

UL Listed



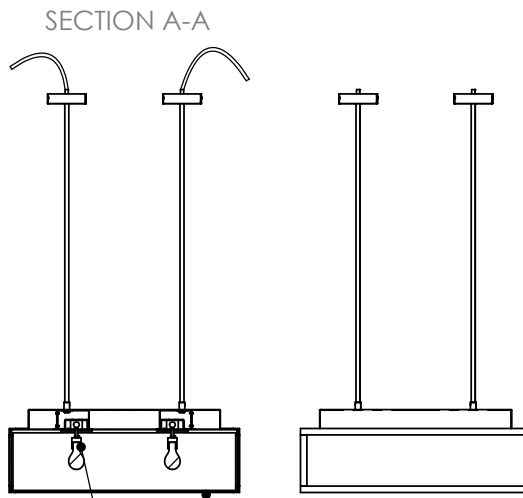
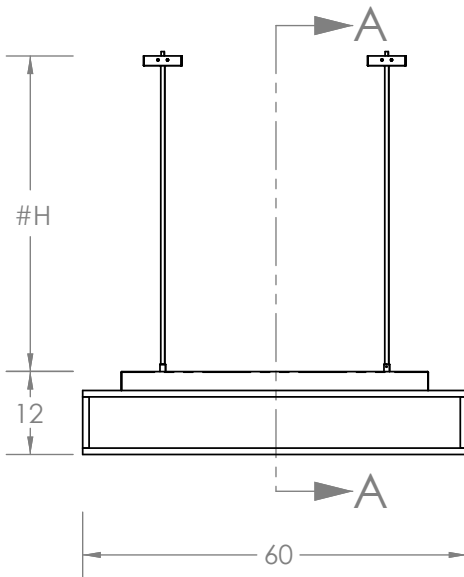
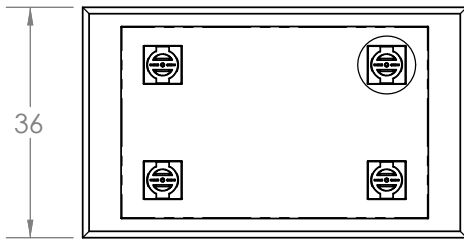
JOB NAME

V056-ATRIUM-PEND- 60 - 36 - - - -

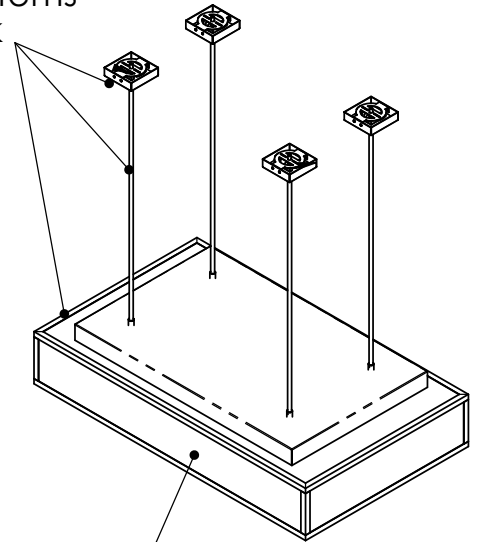
Fixture Length	<input checked="" type="radio"/> 60 60" Long	Fixture Width	<input checked="" type="radio"/> 36 36" Wide	Fixture Height	<input type="radio"/> Specify Height Between 10" And 48"	Fixture Height	<input type="radio"/> BK BLACK <input type="radio"/> WH WHITE <input type="radio"/> SV SILVER <input type="radio"/> BS BLACKENED STEEL <input type="radio"/> SO SPECIFY OTHER	Fixture Height	<input type="radio"/> FG CLEAR GLASS <input type="radio"/> WH-WHITE ACRYLIC <input type="radio"/> SO-SPECIFY OTHER
----------------	--	---------------	--	----------------	--	----------------	---	----------------	--

# ATRIUM PENDANT V056-ATRIUM-PEND

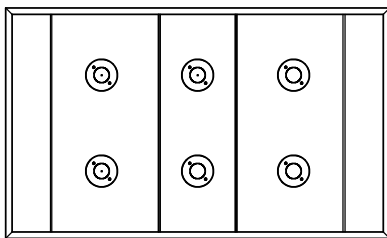
See Finish Options  
For Canopies, Stems  
And Framework



Open Bottom  
6 x E26 Medium Base Sockets  
(Lamps Not Included)



See Material Options  
For Side Wall Diffusers



## Fixture specifications

V056-ATRIUM-PEND-60-36-#H-FSH-DFSM Atrium Pendant	
Specification	Details
Voltage	120V AC 60 HZ
Wattage	6 x 50W Maximum
Approval	UL Listed
Lamp Type (Lamp not Included)	6 x A Type Lamps
Fixture Weight	125 lbs.
Fixture Dimensions	60" x 36" x 36" Max

- Fixture is packed one per cardboard box
- Fixture to be installed by other contractor