



GRAPHIC CYLINDER WALL SCNCE V056-CYLINDER-GD-SCNCE

Application Features

For retail and hospitality applications.

Construction

Wall sconce with custom printed polycarbonate graphic shade and powdercoated fixture housing. Customer to supply high quality artwork or VQL can develop diffuser for an additional charge.

Finish

- Choice of silver, white or black powder paint
- Specify other powder paint option

Electrical

- 1 x E26 Medium Base Socket (Lamps Not Included)

Mounting

- Fixture attaches to standard junction box (J-Boxes supplied by others)

Approvals

UL Listed



JOB NAME

V056-CYLINDER-GD-SCNCE- _____ - _____

Finish Options

- BK BLACK
- WH WHITE
- SV SILVER
- OT Specify Other Powder Paint

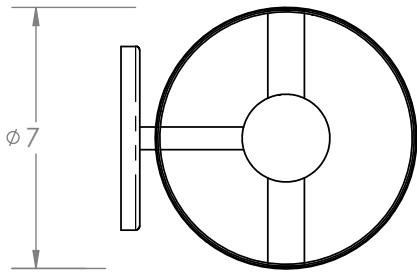
Graphic

- OC Client Supplied Graphic
- OV VQL Supplied Graphic



GRAPHIC CYLINDER WALL SCONCE

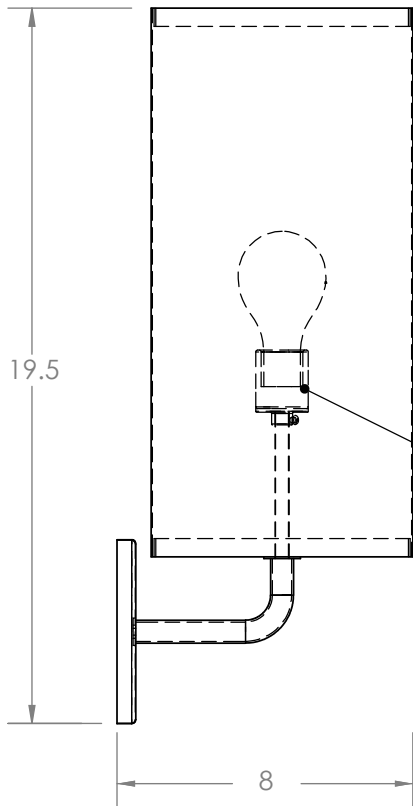
V056-CYLINDER-GD-SCONCE



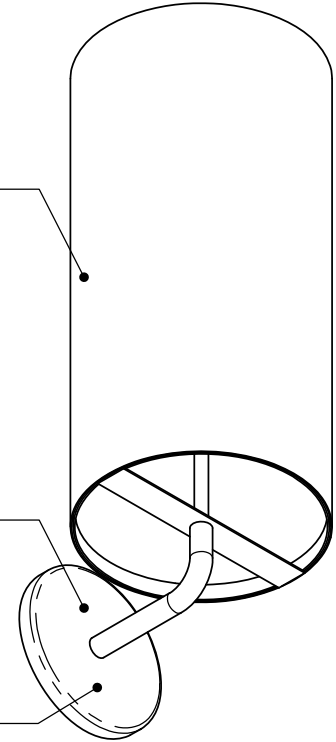
Polycarbonate Shade With Custom Printed Graphic

See Finish Options For Metal Work

Wall Plate Mounts To A Standard J-Box (J-Box Supplied By Others)



1 x E26 Medium Base Socket (Lamp Not Included)



Fixture specifications

V056-CYLINDER-GD-SCONCE-FSH-GPX Graphic Cylinder Wall Sconce	
Specification	Details
Voltage	120V AC 60 HZ
Wattage	1 x 20W Maximum
Approval	UL Listed
Diffuser Material	Polycarbonate
Lamp Type (Lamp not Included)	1 x E26 Medium Base Lamp
Fixture Weight	6 lbs.
Fixture Dimensions	8" x 7" x 19.5"

- Fixture is packed one per cardboard box
- Fixture to be installed by other contractor