



SURFACE MOUNTED DRUM V056-DS-FLUOR

Application Features

For hospitality and commercial applications.

Construction

Surface mounted drum housing with white acrylic diffuser and hinged cover

Finish Options

- Standard finish is powder painted white
- Other options available



Electrical

- 5 x G13 Fluorescent Socket Sets (Lamps not included)
- 2 x Non-Dimming Electronic Ballasts

Mounting

- Surface Mount / Fixture attaches to a standard J-Box (J-Box Not Supplied)
- 1/4" mounting holes in top for stem or cable hanging

Approvals

UL Listed

JOB NAME

V056-DS-FLUOR- 48 - 8

Fixture Diameter

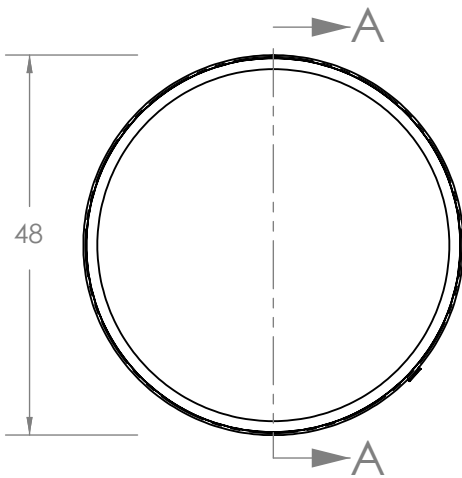
● 48 48" OD

Fixture Height

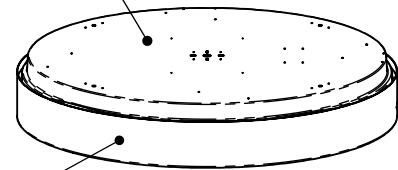
● 8 8" Tall



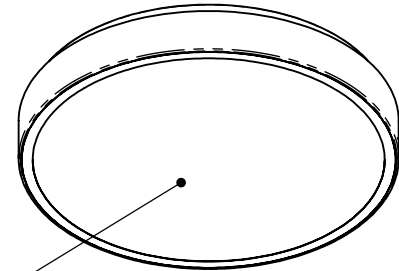
SURFACE MOUNTED DRUM V056-DS-FLUOR



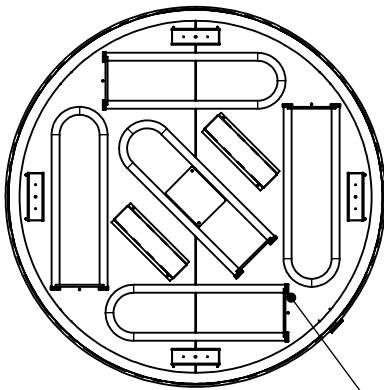
Housing
Mounts To A Standard
J-Box (J-Box Supplied
By Others)



See Finish Options



2447 White Acrylic
Diffuser NOM 3/16" Thick



5 x G13 Fluorescent
Socket Sets
(Lamps Not Included)

Fixture specifications

V056-DS-FLUOR-48-8 Surface Mounted Drum	
Specification	Details
Voltage	120V AC 60 HZ
Wattage	5 x 32W Maximum
Approval	UL Listed
Frame Material	Steel
Lamp Type (Lamp not Included)	5 x 32W 6" U-Bend Fluorescent Lamps
Fixture Weight	90 lbs.
Fixture Dimensions	48" x 8"

- Fixture is packed one per cardboard box
- Fixture to be installed by other contractor