



# HIVE PENDANT V056-HIVE-PEND

## Application Features

For retail, hospitality and residential applications.

## Construction

Spun aluminum reflector with canopy and cord

## Finish

- Polished aluminum
- Painted silver

## Electrical

- 1 x E26 Medium Base Socket (Lamps Not Included)
- 8 Feet of electrical cord in black or white
- 1 x 5 inch diameter canopy painted in black or white

## Mounting

- Fixture attaches to a standard J-Box (J-Box not supplied)

## Approvals

UL Listed



JOB NAME

V056-HIVE-PEND- \_\_\_\_\_ - \_\_\_\_\_

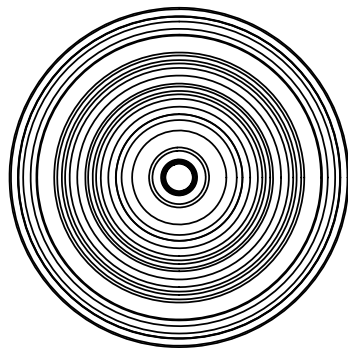
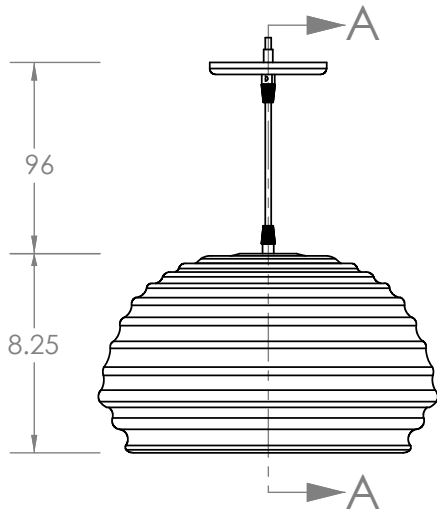
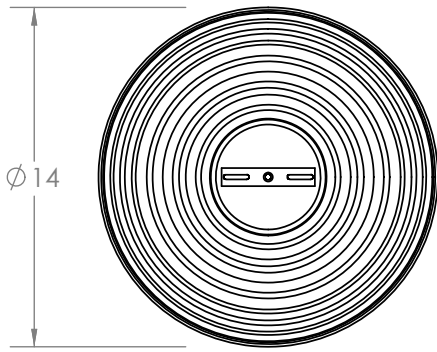
Spinning Finish

- PH POLISHED ALUMINUM
- SV SILVER

Cord & Canopy Color

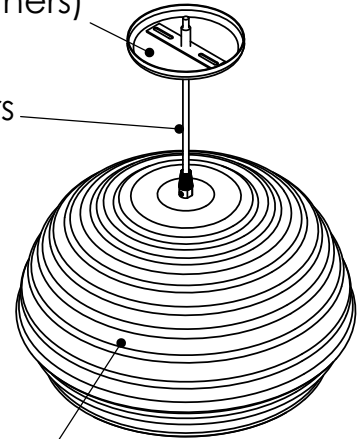
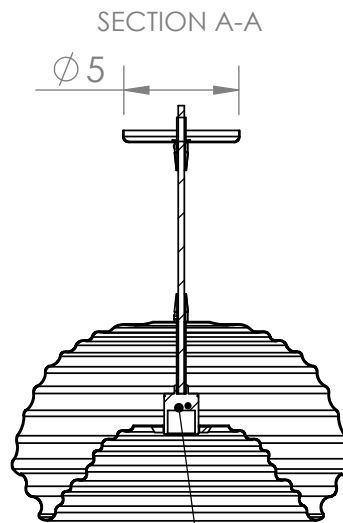
- BK BLACK
- WH WHITE

# HIVE PENDANT V056-HIVE-PEND



Canopy Mounts To A Standard J-Box (J-Box Supplied By Others)

Electrical Cord  
See Options For Colors



See Finish Options For Spinning and Canopies

1 x E26 Medium Base Socket  
(Lamps Not Included)

## Fixture specifications

V056-HIVE-PEND-14-825-FSH-CRD Hive Pendant	
Specification	Details
Voltage	120V AC 60 HZ
Wattage	1 x 60W Maximum
Approval	UL Listed
Reflector Material	Aluminum
Lamp Type (Lamp not Included)	1 x A Type Lamp
Fixture Weight	7 lbs.
Fixture Dimensions	14" x 14" x 104" Max

- Fixture is packed one per cardboard box
- Fixture to be installed by other contractor