



TYPE D STAGE LIGHT V056-STAGE-D

Application Features

For retail and hospitality applications.

Construction

Metal fixture housing with hinged barn doors (no rotation)

Finish

- Blackened Steel
- Choice of silver, white or black powder paint
- Specify Other

Electrical

- 1 x E26 Medium Base Socket (Lamps Not Included)

Mounting

- Fixture mounts via GES style track system

Approvals

UL Listed



JOB NAME

V056-STAGE-D-

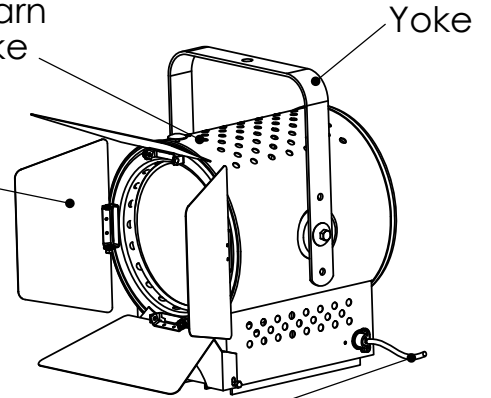
Finish <input type="radio"/> BK BLACK <input type="radio"/> WH WHITE <input type="radio"/> SV SILVER <input type="radio"/> BS BLACKENED STEEL <input type="radio"/> SO SPECIFY OTHER	Mounting Type <input type="radio"/> HM HARDWARE MOUNT ON YOKE <input type="radio"/> DT DIRECT TRACK MOUNT ON YOKE	Cord Length <input type="radio"/> SPECIFY CORD LENGTH	Mounting System <input checked="" type="radio"/> GES Track Mount
--	--	---	--



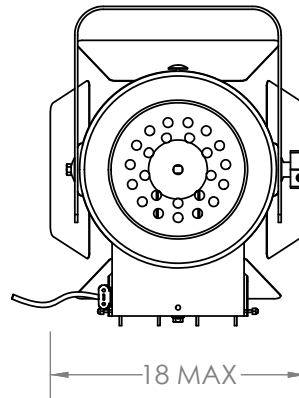
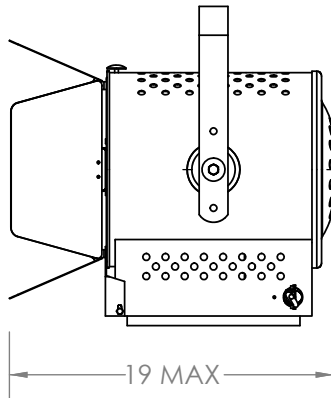
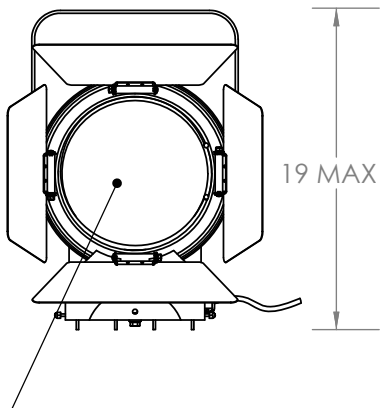
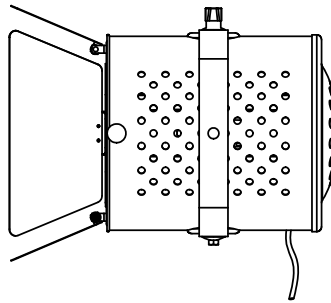
TYPE D STAGE LIGHT V056-STAGE-D

See Finish Options
For Housing, Barn
Doors And Yoke

Barn Doors Swing
Open And Closed
On Friction Hinges

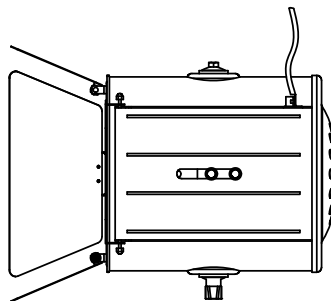


Black Electrical Cord
'X' Feet Long With GES
Track Mount



Black
Adjustment
Knob

1 x E26 Medium
Base Socket
(Lamps Not Included)



Fixture specifications

V056-STAGE-D-FSH-MNT-CL Type D Stage Light	
Specification	Details
Voltage	120V AC 60 HZ
Wattage	1 x 75W Maximum
Approval	UL Listed
Lamp Type (Lamp not Included)	1 x PAR30 Or PAR38 Lamp
Fixture Weight	18 lbs.
Fixture Dimensions	18" x 19" Max. x 19" Max.

- Fixture is packed one per cardboard box
- Fixture to be installed by other contractor