



CYLINDRICAL COLUMN PENDANT V056-TUBE-PEND

Application Features

For retail and hospitality applications.

Construction

Pendant fixture with acrylic diffuser encapsulating LEDs for even illumination and includes a downlight component. Fixture has white or RGB option for cylinders LEDs. Luminaire is suspended from a five foot stem with hang straight canopy kit. (DMX Control system and programming sold separately).

Finish

- Choice of silver, white or black powder paint
- Specified color of powder paint

Electrical

- 1 x E26 Medium Base Socket (Lamps Not Included)
- LED strip Lighting

Mounting

- Fixture attaches to standard junction box (J-Boxes supplied by others)

Approvals

UL Listed



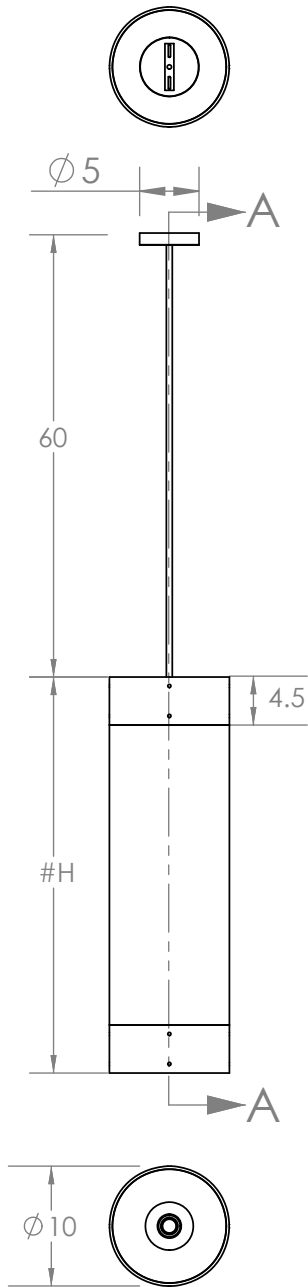
JOB NAME

V056-TUBEE-

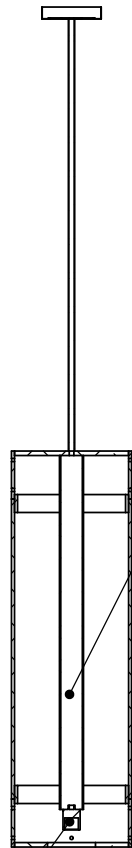
<p>Fixture Height</p> <p><input type="radio"/> Specify Height Of Fixture From 33" Minimum To 105" Maximum</p>	<p>Diffuser Material</p> <p><input type="radio"/> WH White Gloss Acrylic Diffuser</p> <p><input type="radio"/> FR Frosted-Acrylic Diffuser</p>	<p>Powder Paint Color</p> <p><input type="radio"/> WH WHITE</p> <p><input type="radio"/> BL BLACK</p> <p><input type="radio"/> SV SILVER</p> <p><input type="radio"/> OT SPECIFY COLOR</p>	<p>LED Color Temperature</p> <p><input type="radio"/> 30 3000K</p> <p><input type="radio"/> 36 3600K</p> <p><input type="radio"/> 40 4000K</p> <p><input type="radio"/> RGB RGB</p>
--	---	---	--

CYLINDRICAL COLUMN PENDANT

V056-TUBE-PEND

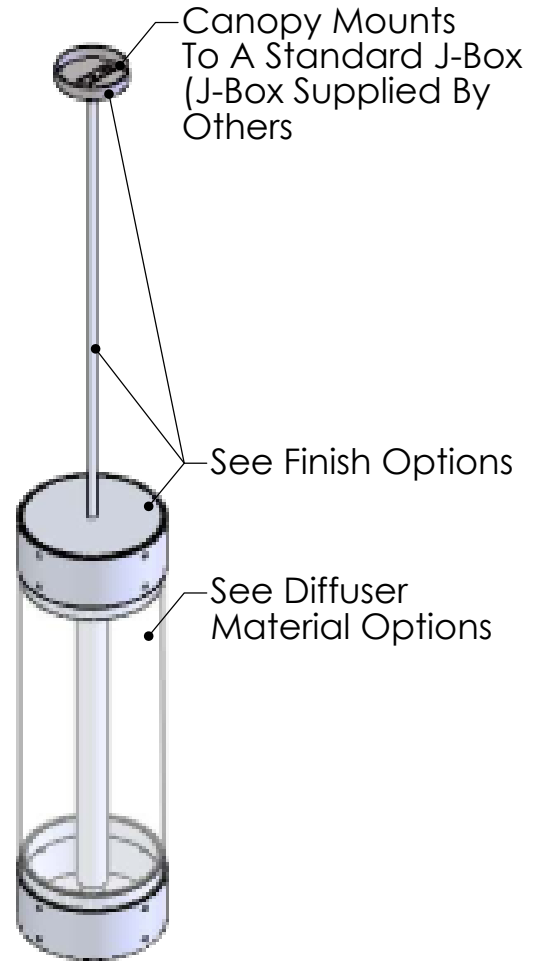


SECTION A-A



LED Strip Lighting
3W Per Foot
See Color
Temperature
Options

1 x E26 Medium
Base Socket



Fixture specifications

V056-TUBE-PEND-#H-DFR-FSH-CCT Cylindrical Column Pendant	
Specification	Details
Voltage	120V AC 60 HZ
Wattage	1 x 100W Maximum 3W/Ft LED Strip Lights
Approval	UL Listed
Diffuser Material	2447 White or P95 Frosted
Lamp Type (Lamp not Included)	1 x E26 Socket/LED Strip Lights
Fixture Weight	30 Min.-125 Max. lbs.
Fixture Dimensions	10" OD x 33 Min.-105" Max.

- DMX control system and programming sold separately
- Fixture is packed one per cardboard box
- Fixture to be installed by other contractor

Vision Quest Lighting, Inc., assumes no responsibility for suitability of these materials in any luminaire or application. Please test for fit and function prior to ordering project quantities.

Manufactured by Vision Quest Lighting in the USA 90 13th Avenue, Unit 1, Ronkonkoma, NY 11779 Tel: 631-737-4800 Fax: 631-737-2808 Email: info@VQL.com